

# BSV Crane Fork

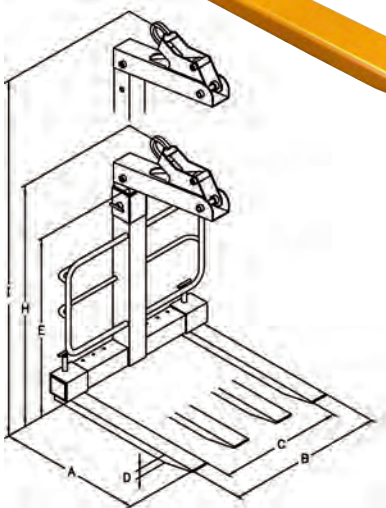


## Self-balancing Crane Fork

BSV offers an extensive portfolio of self-balancing crane forks. The self-balancing function makes them ideal for use off tower cranes and overhead gantries. Fork separation can be adjusted to suit most common pallet types.

A BSV crane fork with bow lifting eye offers many advantages, especially in terms of safety and durability

- Simple adjustment of lifting point
- Manufactured in high grade steel
- Extremely strong and durable
- Low unit weight combined with a strong, rigid design
- High safety factor
- Quick and easy adjustment of free height and fork separation
- Handgrips are located clear of the load to prevent injury
- Various fork dimensions can be fitted
- Individually load tested on a computerised test-bench



BSV crane forks can be mounted on a wide variety of cranes and gantries. Different suspension linkages are available to suit all types of crane.

## Selfbalancing Crane Fork

Type	A mm.	B mm.	C mm.	D mm.	E mm.	H mm.	I mm.	K mm.	Weight kg.	Max load kg.
PG 100/2 SSB-SBL (Pipe Forks)	970	400-950	200-750	40	1.270-1.900	1.700	2.330	500	160	2.000
PG 120/3 SSB-SBL (Pipe Forks)	970	460-950	220-710	50	1.320-2.010	1.895	2.585	600	240	3.000
PG 120/3 SSB-SBL (Solid Forks)	970	460-950	220-710	40	1.320-2.010	1.895	2.585	600	260	3.000

Forks of 1170 mm are also available, suitable for the two types, mentioned at the bottom. We also manufacture special forks on request.

Agent