



HADEF
ALUflex

360/21

360/21⁺

HOIST PROTECTION BY SLIPPING CLUTCH

NEW

**CONSIDERABLY
SMALLER**

**UP TO 45%
LIGHTER**

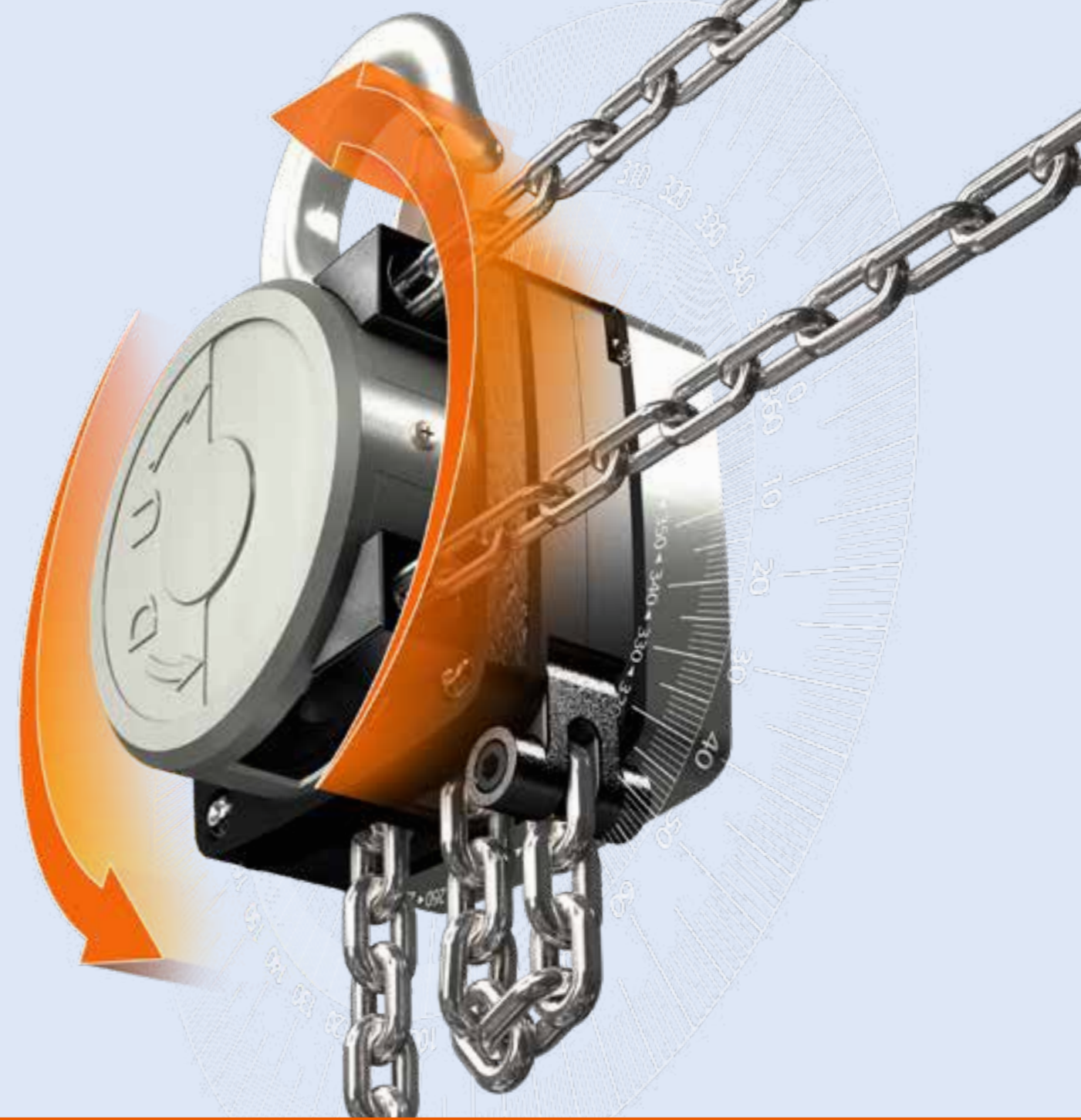


HADEF
ALUflex 360/21

360° = FLEXIBLE HANDLING, SAFETY & FLEXIBILITY

360° rotation of the hand chain wheel

- Safe - the operator does not stand in the dangerous zone under the load
- Load handling from nearly any angle

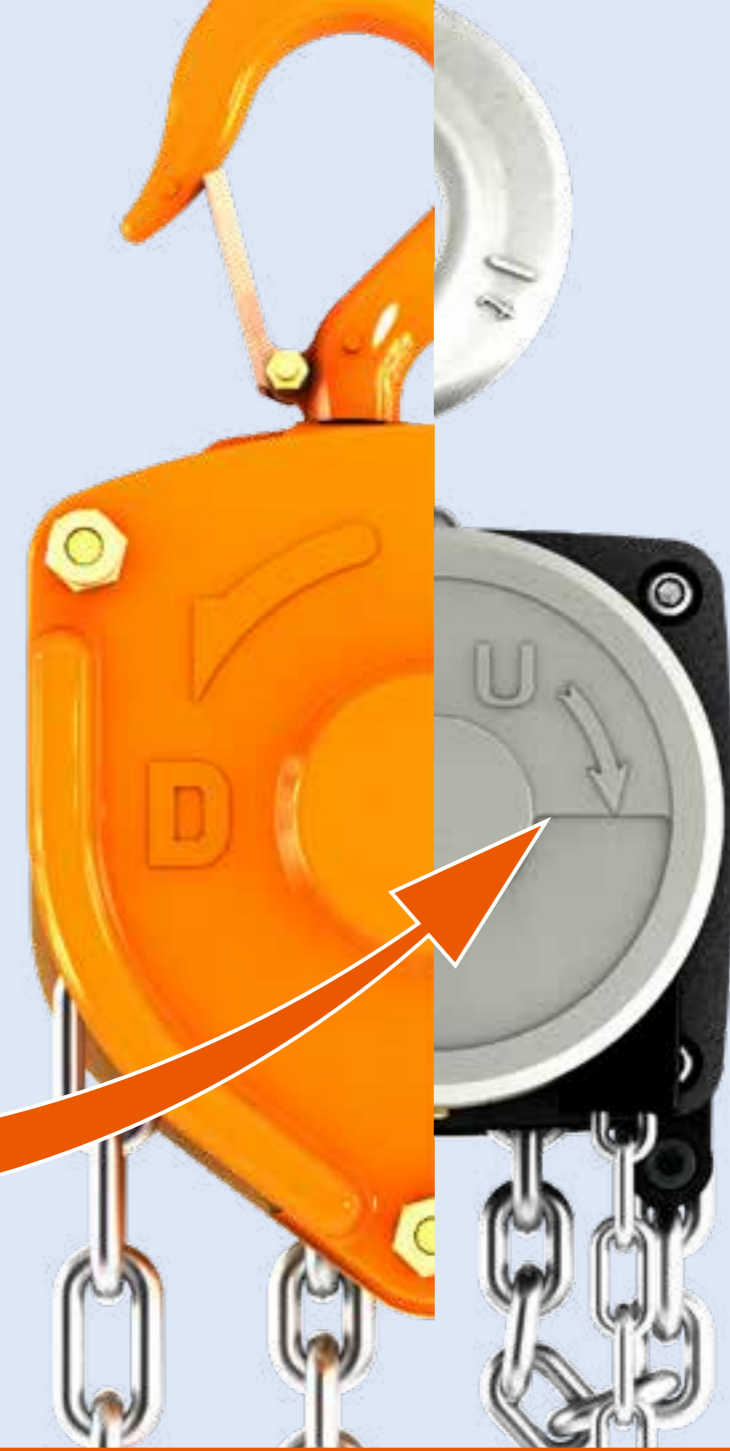


HADEF
ALUflex 360/21

CONSIDERABLY SMALLER

Compact design

- Flexible for various applications
- Small = easy handling
- Light weight - advantage for transport and handling



UP TO
5 t

HADEF
ALUflex 360/21

UP TO - 45%*
LIGHTER

Light weight

■ The HADEF advantage when every kilo counts

*Up to 45% less weight compared to other standard hoists



HADEF
ALUflex 360/21

REINFORCED SAFETY CATCH

Increased operation safety

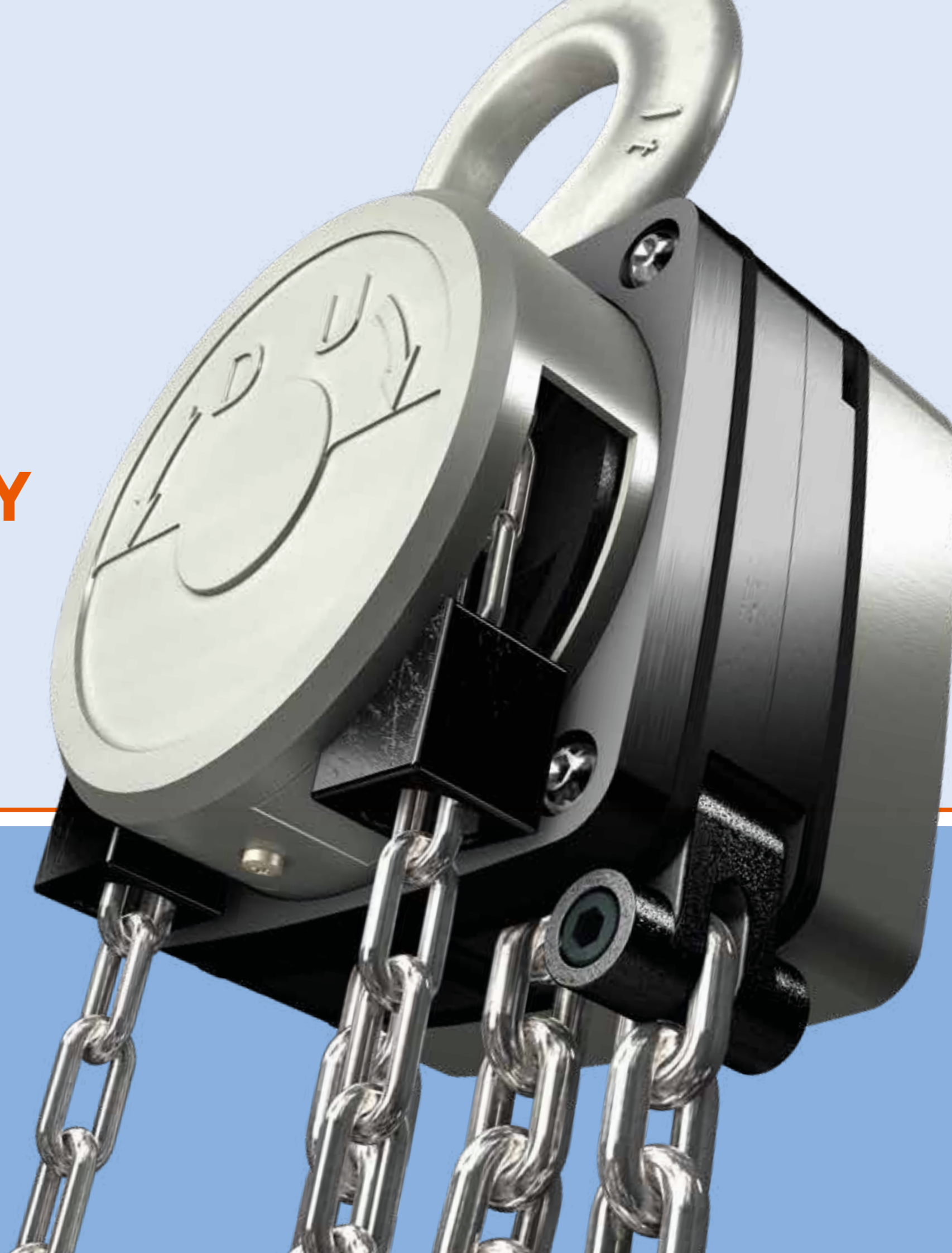


HADEF
ALUflex 360/21

ENCLOSED BODY

Nearly enclosed aluminium body

- Protection of inner components against dust and humidity



HADEF
ALUflex 360/21

CHAIN GUIDE DEVICE

Ensures safe and guided
feed-in of the chain



HADEF
ALUflex 360/21

BELT POUCH - FOR TRANSPORT

As option fitted with practical belt bag*
or with chain container

■ The ideal equipment - for transport - operation and storage

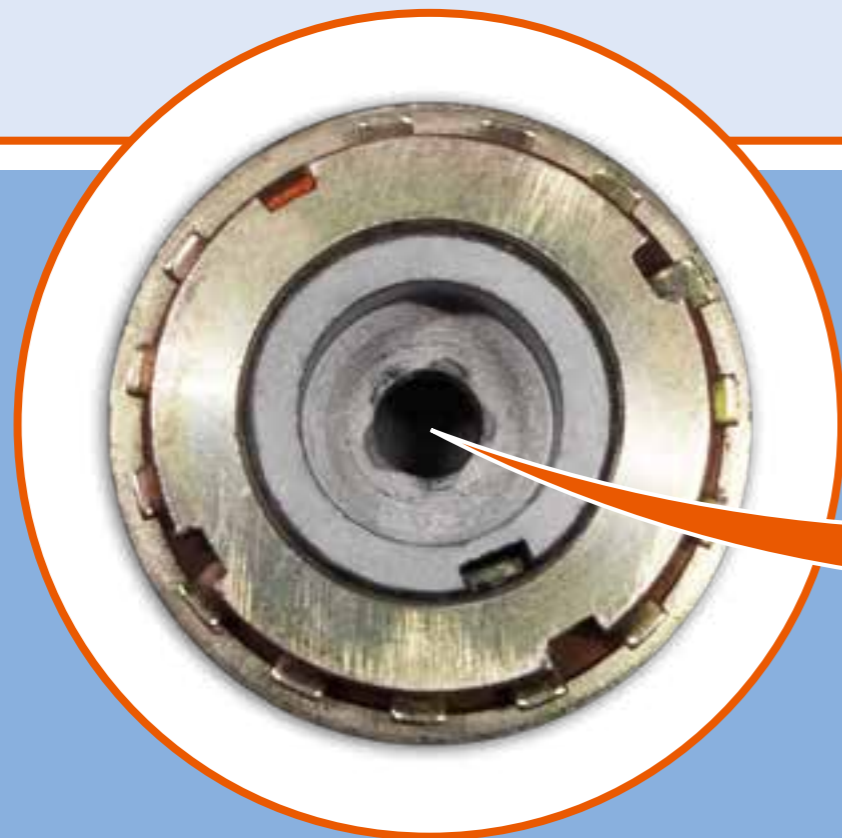
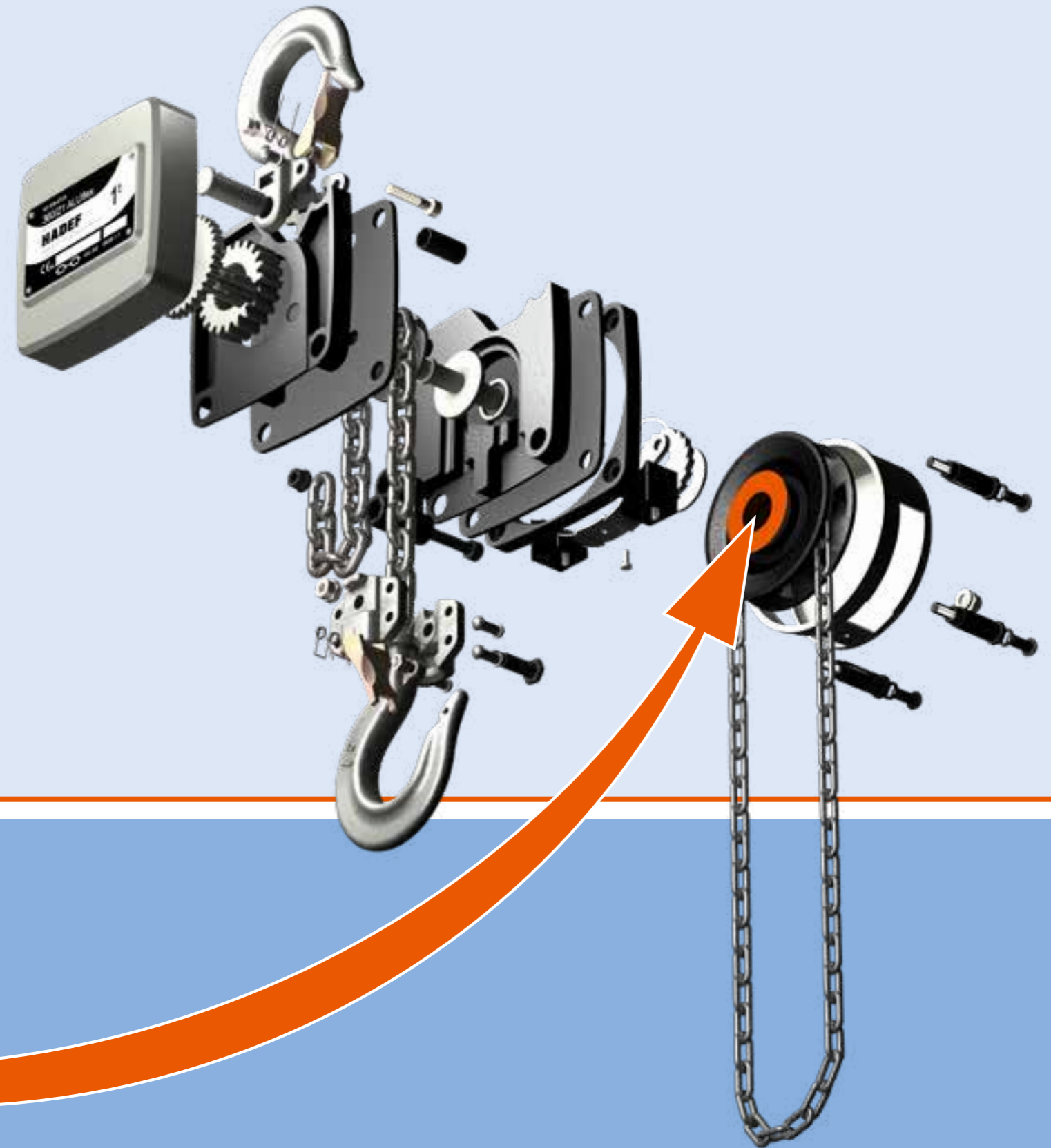
*Available for hoists up to 1000 kg capacity



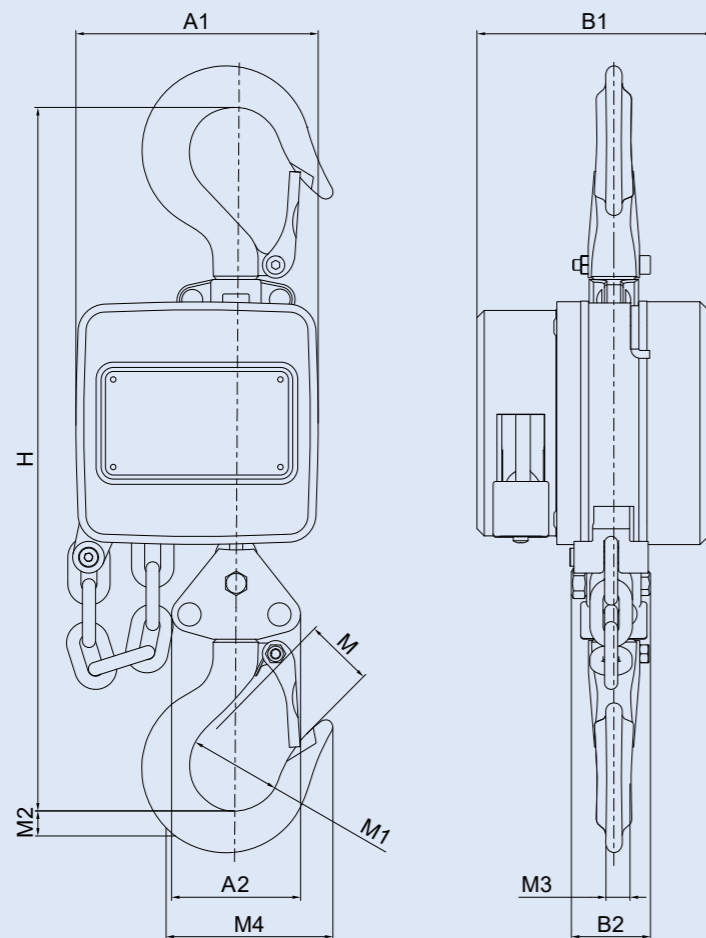
HADEF
ALUflex 360/21⁺

THE HADEF TECHNIC ADVANTAGE SAFETY +

The 360/21 „+ series“ is fitted with hoist protection by slipping clutch



HADEF ALUflex 360/21



SMALL | LIGHT WEIGHT | FLEXIBLE



Capacity Chain falls	Main dimensions in mm									
	A1	A2	B1	B2	M	M1	M2	M3	M4	H
kg										
250 1	75	30	77	26	20	31	14	11	65	225
500 1	92	49	89	29	21	33	17	11	72	265
1000 1	110	51	102	35	26	41	24	15	94	295
1500 1	130	64	120	37	30	41	30	20	104	350
2000 1	145	64	138	43	34	44	33	22	119	390
3000 2	165	85	120	47	35	47	35	25	126	470
5000 2	170	113	160	65	42	66	47	22	159	580

Tragfähigkeit Kettenstränge	Load chain	Hand chain	Lift at 30 m Hand chain	Hand chain pull	Weight at 3 m suspension height	Weight per add. m lift
	mm	mm	mm	N	kg	kg
kg						
250 1	3 x 9	2,5 x 12	1202	147	2,6	0,4
500 1	4,2 x 12,2	3,5 x 16	758	187	4,6	0,8
1000 1	5,6 x 15,8	3,5 x 16	489	280	6,6	1,1
1500 1	7,1 x 20,1	4,8 x 22	420	320	12	1,5
2000 1	8 x 24	4,8 x 22	332	360	13,5	1,8
3000 2	7,1 x 20,1	4,8 x 22	210	340	17	3,1
5000 2	9 x 27	4,8 x 22	313	365	29,5	4,7

NEW

**RATCHET LEVER
HOIST 53/22 A**



ISO 9001
certified company

HEINRICH DE FRIES GmbH
Gaußstr. 20 | 40235 Düsseldorf

Tel.: +49 211 2307-0
mail@hadeF.de

hadeF.com